

# syncro®

Opening a new chapter in  
PVC-U patio doors



Made & recycled  
in the UK



**eurocell®**

All together better

# INTRODUCING NEW SYNCRO SLIDING PATIO DOORS



**syncro**<sup>®</sup>

## NEW SLIDING PATIO DOORS

### **Introducing a new in-line system with even more benefits built in**

We're always looking to improve our products, though. So to keep in pace with customer demand, while staying in step with building regulations, the brand new Syncro system is here. Building on our unrivalled experience, Syncro isn't just our strongest and most secure patio door yet. It also offers better sustainability, design and performance – for you and your customers.

## A GREY REVOLUTION

The outstanding feature that makes Syncro so special, though, is its grey substrate option.

With a through-colour grey frame instead of just a surface foil, there's no sign of a white PVC-U core, even when you open the door.

It may seem like a small detail, but the all-grey look is a big thing with homeowners right now and many people are more than ready to pay a premium for it in PVC-U rather than choose the much more expensive aluminium option.

So make sure you're ready to supply everything they're looking for with the new Syncro sliding patio doors.

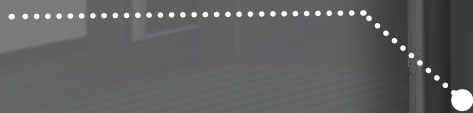
**NEW**



Syncro in Anthracite Grey

**NEW**

**GREY SUBSTRATE OPTION  
FOR THE CONSISTENT LOOK**





syncro®

## THE ALL NEW PATIO DOOR SYSTEM FROM EUROCELL

Eurocell leads the way in patio doors. In fact, we've long been the customer's choice when it comes to security, strength and performance with style.

### **Close to perfection in the patio door market**

Syncro is available to PAS24 standards, which means you can meet Document Q - the newest security regulations for patio doors. Plus, its improved strength, security and weather performance mean it also satisfies BS6375 as standard.

But that's just for starters. What makes Syncro really stand out are these brand new features that help it make a really impressive entrance on the marketplace:

- More sustainable with frame composition made up of at least 40% PCW (post-consumer waste).
- Better thermal efficiency with U-values as low as 1.3 for double glazed units and 1.0 for triple glazed.
- Maximum width of 3.5m (2 pane)
- Triple as well as double glazing compatible for even better insulation.
- Grey substrate for total coordination with modern designs
- Soft close option

# WHY CHOOSE SYNCRO?



**Width of up to  
3.5m available**



**Fast, accurate  
fabrication and  
installation**



**U-values  
as low as 1.0**



**Soft-close  
option**



**A choice of frame  
colours including  
grey substrate option**



**Triple glazing  
compatible**



**Delivery from  
6 working days**



**10-year  
guarantee for  
peace of mind**



# A WIDE SPECTRUM OF COLOURS

## COLOURS THAT MATCH YOUR PLANS

### Colours that match your plans

Like all Eurocell PVC-U products, the new Syncro system comes with an exact colour-match guarantee. That means the colour is precisely matched to all Eurocell window, door and conservatory roof products, creating a coordinated, consistent look across any property.

Syncro is normally manufactured with a white internal finish to maintain a bright, fresh interior, but some colours are available on both sides from stock.

Plus, Syncro doors are also available with a grey substrate for the look that's so much in demand at the moment.

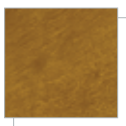
### Up to 10-year guarantee

Syncro patio door profiles are guaranteed for ten years. Which means you and your customers enjoy all the reassurance of a robust, well-designed, precision-made product that's built to last.

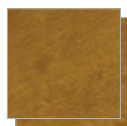
## FRAME COLOURS FROM STOCK



**WHITE**  
White interior



**GOLDEN OAK**  
White interior



**GOLDEN OAK**  
Both sides



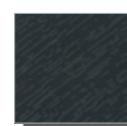
**ROSEWOOD**  
White interior



**ROSEWOOD**  
Both sides

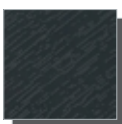


**ANTHRACITE GREY**  
White interior



**ANTHRACITE GREY**  
Grey base

## FRAME COLOURS MADE TO ORDER



**ANTHRACITE GREY SMOOTH**  
Grey base



**ANTHRACITE GREY MATT**  
Grey base

**32 ADDITIONAL COLOURS AND SPECIFICATIONS ARE MADE TO ORDER ON EXTENDED LEAD TIMES**

Note: Grey base product features cool colours foil

## HANDLE COLOURS



**WHITE**  
White interior



**HARDEX CHROME**



**HARDEX GRAPHITE**



# FEATURES & BENEFITS

## MARKET-LEADING PATIO DOOR

MADE FROM 40%  
**POST-CONSUMER  
WASTE**

U-VALUE .....  
**AS LOW AS 1.0**

PAS24 OPTIONS FOR.....  
**ULTIMATE SECURITY**

DOUBLE OR TRIPLE  
**GLAZING  
OPTIONS**

SOFT CLOSE .....  
**OPTION**

WIDTHS OF UP TO  
**3.5 METRES**  
(2 PANE)



Soft close eases door on closure to locking position

# TECHNICAL INFORMATION

## MINIMUM & MAXIMUM SIZES

### PATIO DOORS



Sizes shown **do not** include cill.

For sizes outside min/max dimensions please contact Eurocell Technical department. Ensure suitable hardware is used that is capable of withstanding the sash weight.

All Sizes shown: MINIMUM - **MAXIMUM** in mm

**syncro**<sup>®</sup>  
Sliding Patio Doors

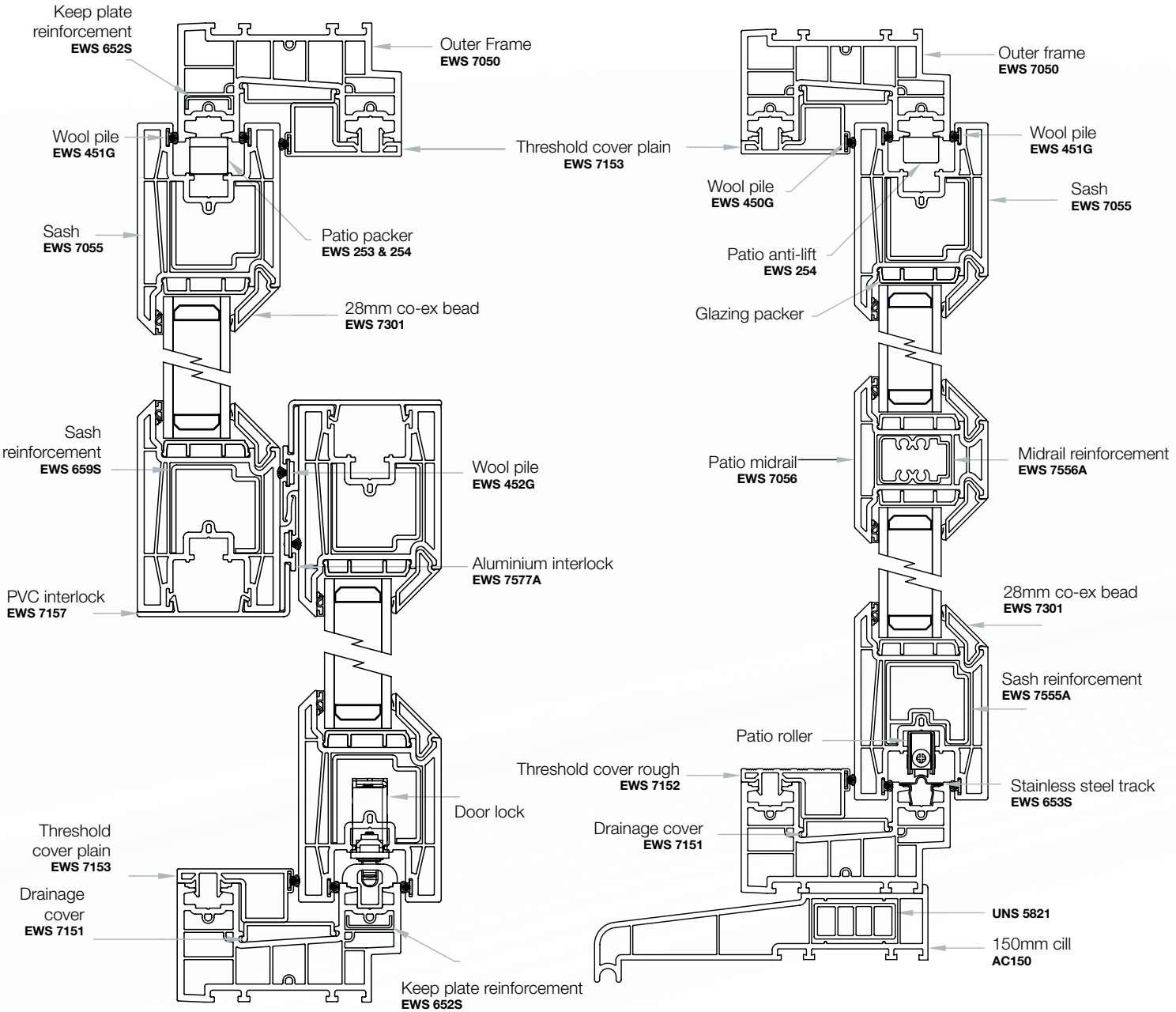


\* Low threshold = 2400mm max height  
\*\* For 3201 - 3500mm door widths max door height = 2100mm  
\*\*\* For 4700 - 5000mm door widths max door height = 2100mm

# TECHNICAL INFORMATION

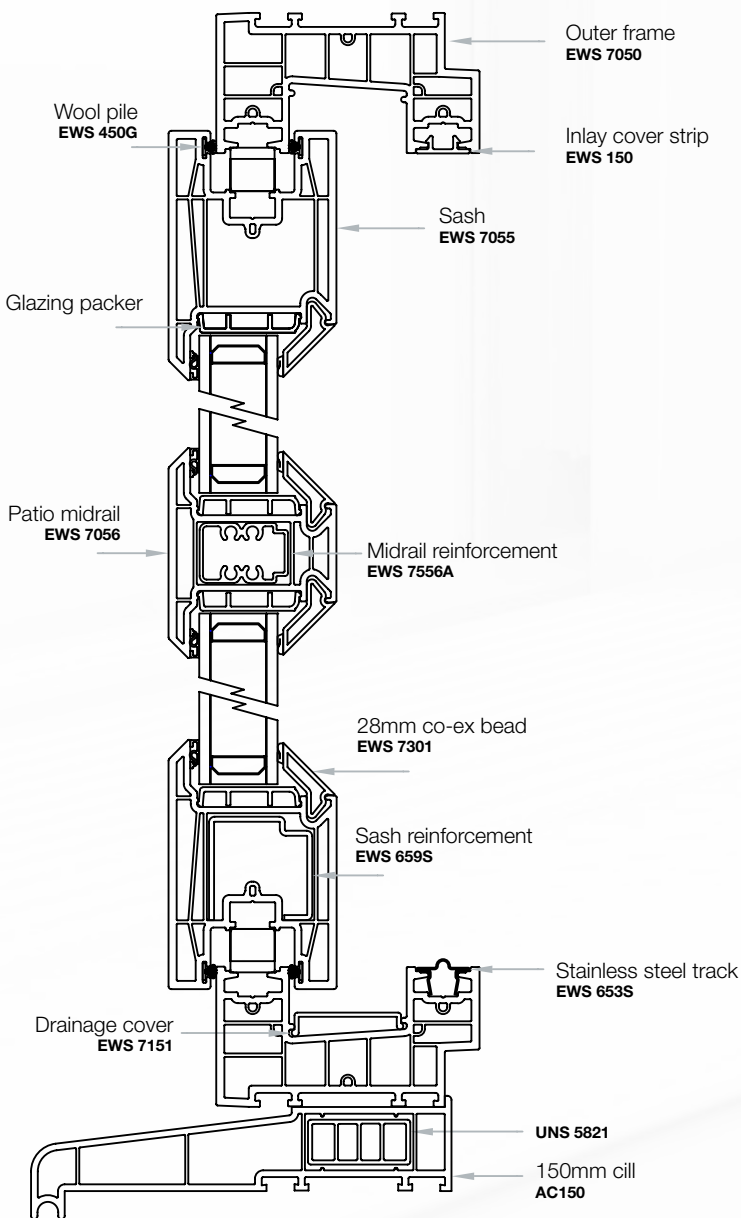
## SLIDING PATIO DOORS

### STANDARD THRESHOLD



HORIZONTAL CROSS SECTION FOR 2 PANE STYLE

VERTICAL CROSS SECTION THROUGH SLIDING SASH



SLIDING SASH



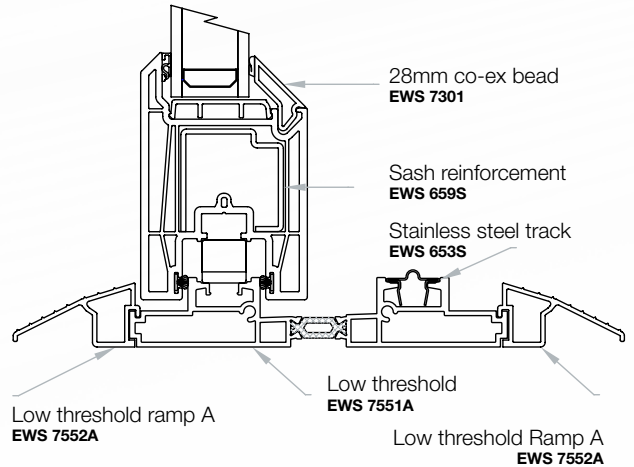
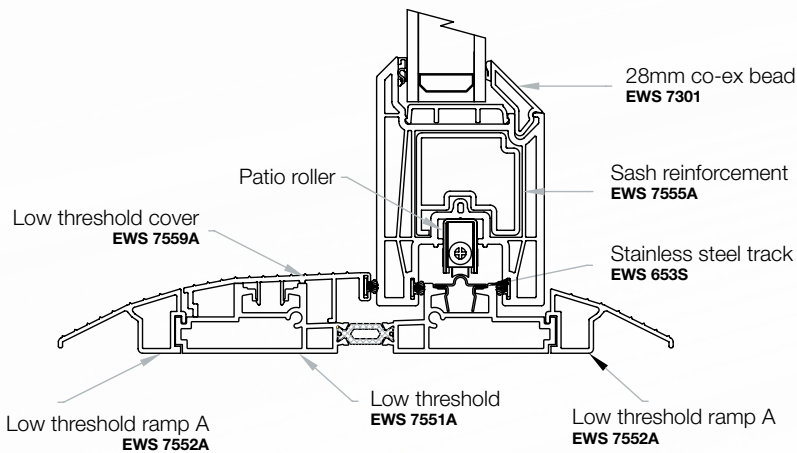
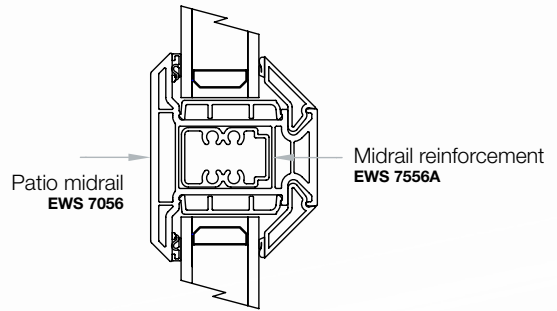
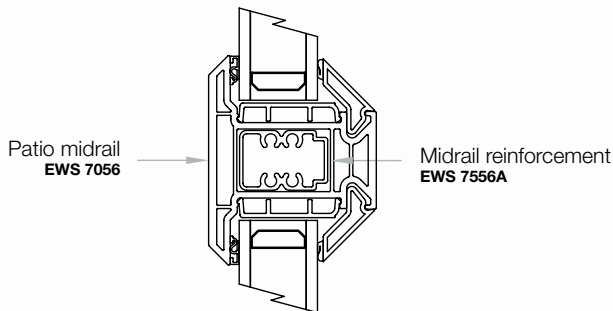
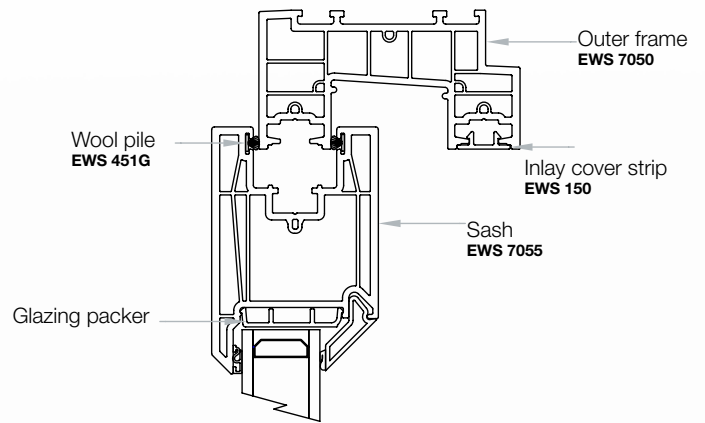
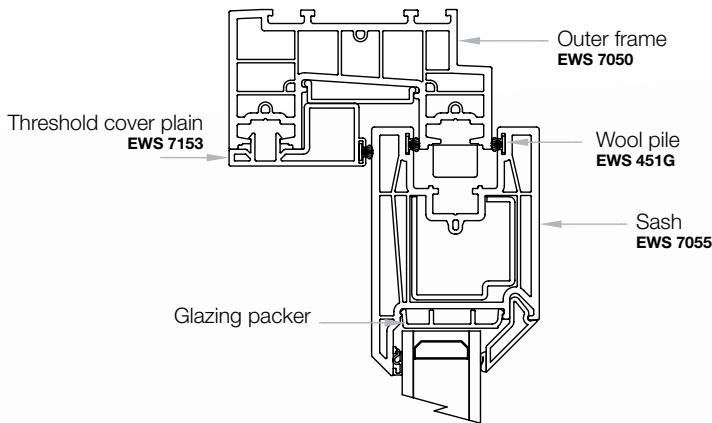
FIXED SASH

VERTICAL CROSS SECTION THROUGH FIXED SASH

# TECHNICAL INFORMATION

## SLIDING PATIO DOORS

### LOW THRESHOLD



VERTICAL CROSS SECTION THROUGH SLIDING SASH WITH LOW THRESHOLD

VERTICAL CROSS SECTION THROUGH FIXED SASH WITH LOW THRESHOLD



Aluminium interlock



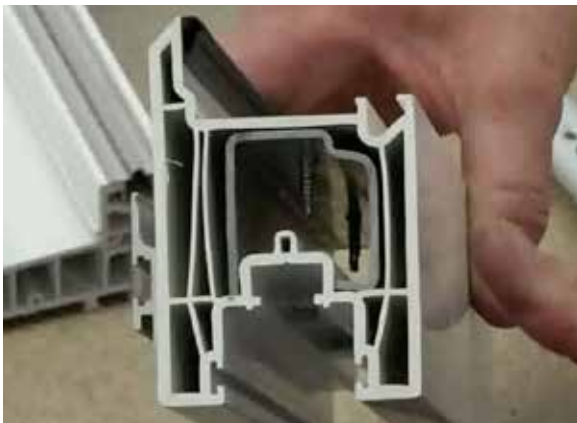
Soft close



Four independent moving rollers



Low threshold



Thicker steel with full reinforcement

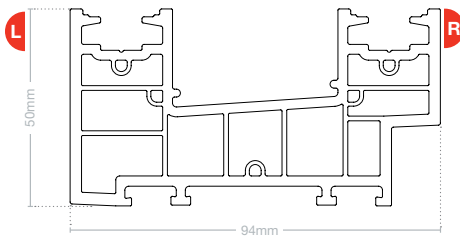


New hardware – flush option available

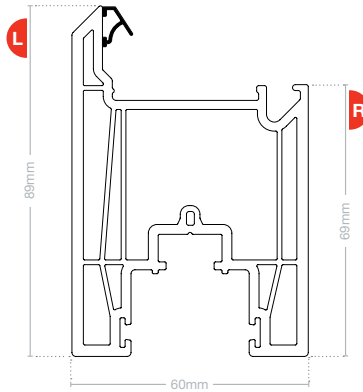
# TECHNICAL INFORMATION

## SYSTEM COMPONENTS

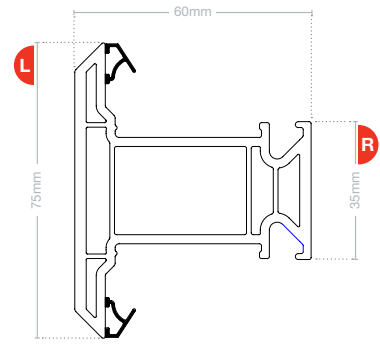
### PVC-U COMPONENTS



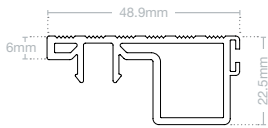
Outer frame  
EWS 7050



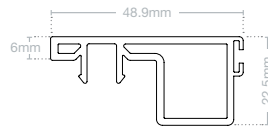
Sash  
EWS 7055



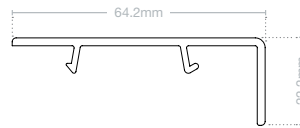
Midrail  
EWS 7056



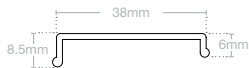
Threshold cover (rough)  
EWS 7152



Threshold cover (plain)  
EWS 7153



PVC Interlock  
EWS 7157



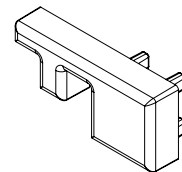
Drainage cover  
EWS 7151



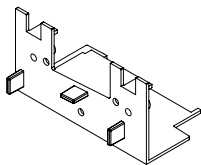
Glazing packer  
EWS 7255



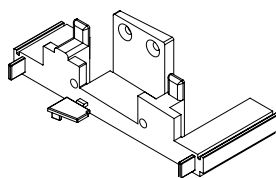
Inlay cover strip  
EWS 150



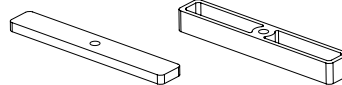
Crash stop  
EWS 7453



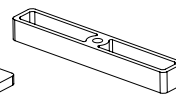
Frame mechanical joint moulding  
EWS 7254



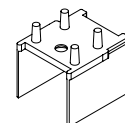
Low threshold moulding  
EWS 7252



Fixed pane packer  
EWS 253



Anti-lift packer  
EWS 254



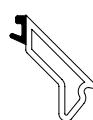
Meeting style end cap  
EWS 7253



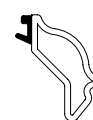
36mm Bead  
EWS 7303



36mm Ovolo bead  
EWS 7313



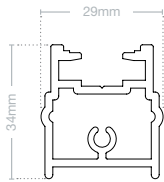
28mm Bead  
EWS 7301



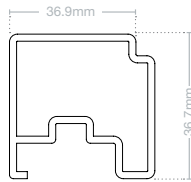
28mm Ovolo bead  
EWS 7312

KEY Left face **L** Right face **R**

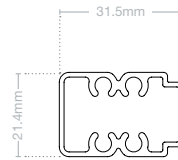
**ALUMINIUM COMPONENTS**



Meeting style  
**EWS 7533A**



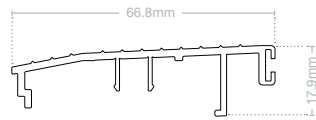
Sash reinforcing  
**EWS 7555A**



Midrail reinforcing  
**EWS 7556A**



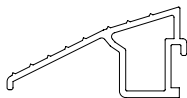
Interlock  
**EWS 7557A**



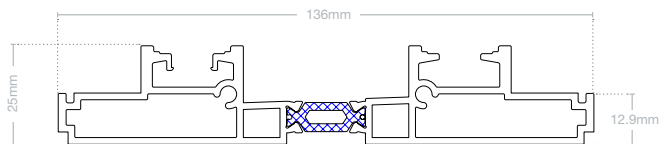
Threshold cover  
**EWS 7559A**



Low threshold ramp B  
**EWS 7558A**

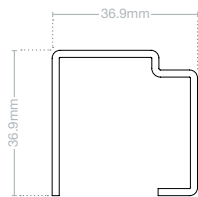


Low threshold Ramp A  
**EWS 7552A**

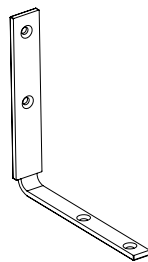


Low threshold  
**EWS 7551A**

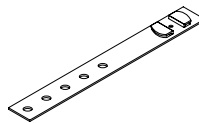
**STEEL COMPONENTS**



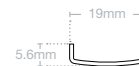
Heavy duty sash reinforcement  
**EWS 659S**  
**EWS 660S** (Punched)



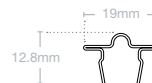
Fixed pane retention cleat  
**EWS 656S**



Fixing cleat  
**EWS 612S**



Keep plate reinforcement  
**EWS 652S**



Stainless steel track  
**EWS 653S**

**GASKETS/SEALS**



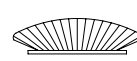
Grey wool pile gasket  
(For use in threshold & interlock)  
**EWS 450G**



Black wool pile gasket  
(For use in sash only)  
**EWS 451G**



Wool pile gasket  
(For use in interlock only)  
**EWS 452G**



Mainframe drainage dam  
(For internal sliding patios only)  
**EWS 453G**



All together better

For more information about **syncro** sliding patio door system from Eurocell, call our customer services team on **0800 988 3047**, or visit **eurocell.co.uk/syncro**

Eurocell plc, Fairbrook House, Clover Nook Road, Alfreton, Derbyshire DE55 4RF



**eurocell.co.uk**



Product specification is subject to change without notification. Please also note that colours shown are illustrative only, as the printing process does not allow 100% accurate colours to be reproduced.